

# RIV-LINK™ TOOLS

## RIV-LINK-1 气动抽芯铆钉枪



12个月保修  
型号: RL-1



5.0 mm 最大拉力值 11000N

### 用途说明

RL-1 can be used for various thicknesses riveting ≤5mm Class material rivets.

### 专利

▼ 整支工具的零件由传统的100多个归整为50多个，且所有零件由我厂独立研发生产，保证了零件之间的密合度，产品品质稳定，不用担心油液消耗。

▼ 行程，设计为18mm，是目前市场上此类工具超长行程。13mm以下铆钉一次拉松完成。

▼ 噪音轻，速度快，独特的顶部加油，维修保养方便。

▼ 独特的油路设计。产生的避震效果大大减轻对操作工手腕的伤害。

### 技术参数

拉铆规格

Ø2.4mm 3.2mm 4.0mm 4.8mm 5.0mm

适用于

铝、铁和316不锈钢材质 Aluminum / SUS316 / Steel

重量

1.3kg

工作拉力

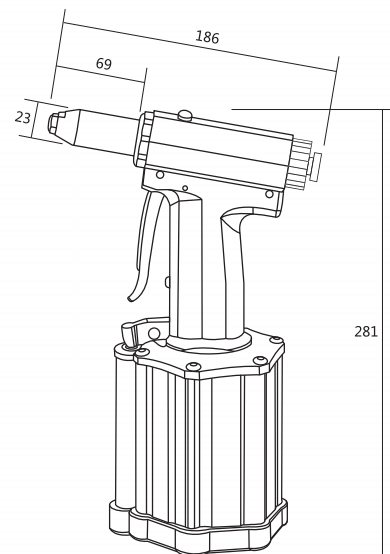
7430N-11000N

工作气压

5bar-7bar

工作行程

18mm



RIV-LINK™  
TOOLS  
专业铆钉，铆螺母工具

Blind Rivet Nuts

Blind Rivets

Self-Chinching

Weld Studs

Rivet tools

# RIV-LINK™

## Pneumatic hydraulic rivet TOOLS



12 Months Warranty

### RIV-LINK-1

Pneumatic tool for blind rivets



#### Technical Specifications

Pressure: 5 bar-7 bar  
 Tension: 7.430N-10.400N  
 Stroke: 18mm  
 Weight: 1.30kg  
 Riveting Capacity: 2.4mm-4.8mm  
 Standard Rivets

### RIV-LINK-2

Self suction pneumatic tool for blind rivet



#### Technical Specifications

Pressure: 5 bar-7 bar  
 Tension: 7.430N-10.400N  
 Stroke: 18mm  
 Weight: 1.33kg  
 Riveting Capacity: 2.4mm-4.8mm  
 Standard Rivets With Vacuum

### RIV-LINK-3

Self suction pneumatic tool for blind rivet



#### Technical Specifications

Pressure: 5 bar-7 bar  
 Tension: 12.300N-17.220N  
 Stroke: 20mm  
 Weight: 1.72kg  
 Riveting Capacity: 4.0mm-6.4mm  
 Standard Rivets (Stainless Steel)

### RIV-LINK-4

Self suction pneumatic tool for blind rivet



#### Technical Specifications

Pressure: 5 bar-7 bar  
 Tension: 19.400N-27.160N  
 Stroke: 20mm  
 Weight: 1.85kg  
 Riveting Capacity: 4.8mm-6.4mm  
 Structural Rivets and Hemlok

### RIV-LINK-5

Self suction pneumatic tool for blind rivet



#### Technical Specifications

Pressure: 5 bar-7 bar  
 Tension: 14.225N-19.915N  
 Stroke: 26mm  
 Weight: 2.19kg  
 Riveting Capacity: 4.8mm-6.4mm  
 Monobolt

## RIV-LINK™

# TOOLS

Professional rivet tool

Blind Rivet Nuts

Blind Rivets

Self-Chinching

Weld Studs

Rivet tools

# RIV-LINK™ Manual nut rivet TOOLS



12 Months Warranty

**RIV-LINK - 8N**  
RL - 8N Manual nut riveter



**Technical Specifications**  
 Specifications : M3 - M8  
 Size: 430 \* 150mm  
 Weight : 1.15kg  
 Trip : 0 - 6mm  
 Application: Aluminum / Iron / Stainless  
 Steel Rivet Nuts / Column

**RIV-LINK - 10N**  
RL - 10N Manual nut riveter



**Technical Specifications**  
 Specifications : M3 - M10  
 Size: 485 \* 145mm  
 Weight : 2.0kg  
 Trip : 0 - 8mm  
 Application: Aluminum / Iron / Stainless  
 Steel Rivet Nuts / Column

**RIV-LINK - 12N**  
RL - 12N Manual ratchet nut riveter



**Technical Specifications**  
 Specifications: M5 - M8 ( Stud )  
 M6 - M12 ( Nut )  
 Size: 210 \* 210mm  
 Weight : 1.1kg  
 Trip : 0 - 7mm  
 Application: Aluminum / Iron / Stainless  
 Steel Rivet Nuts / Column

**RIV-LINK™  
TOOLS**

Professional rivet tool

# RIV-LINK™ Manual rivet TOOLS

**RIV-LINK - 50R**  
RL-50R Manual nut riveter



**Technical Specifications**  
 Specifications :  $\phi$  3.2 - 5.0mm  
 Size: 328 \* 140mm  
 Weight : 0.8kg  
 Trip : 8mm  
 Application: Aluminum / Iron / Stainless  
 Steel Blind Rivet

**RIV-LINK - 64R**  
RL - 64R Manual nut riveter



**Technical Specifications**  
 Specifications :  $\phi$  4.0 - 6.4mm  
 Size: 462 \* 145mm  
 Weight : 1.5kg  
 Trip : 8mm  
 Application: Aluminum / Iron / Stainless  
 Steel Blind Rivets

Blind Rivet Nuts

Blind Rivets

Self-Chinching

Weld Studs

Rivet tools

# RIV-LINK™

## Pneumatic Rivet Nut Setting Tools



12 Months Warranty



### RIV-LINK RL-8AN Pneumatic Hydraulic Riveting Nut Tool

Technical Specifications

Specifications : M3 - M8

Air supply pressure: 0.5 - 0.7Mpa

Net weight : 1.7kg

Output traction : 14000 - 19600N

Trip : 1 - 7mm

All styles and materials of rivet nuts and studs



### RIV-LINK RL-12AN Pneumatic Hydraulic Riveting Nut Tool

Technical Specifications

Specifications : M3 - M12

Air supply pressure: 0.5 - 0.7Mpa

Net weight : 1.91kg

Output traction : 21000N - 29400N

Stroke : 1 - 8mm

All styles and materials of rivet nuts and studs

Blind Rivet Nuts

Blind Rivets

Self-Chinching

Weld Studs

Rivet tools